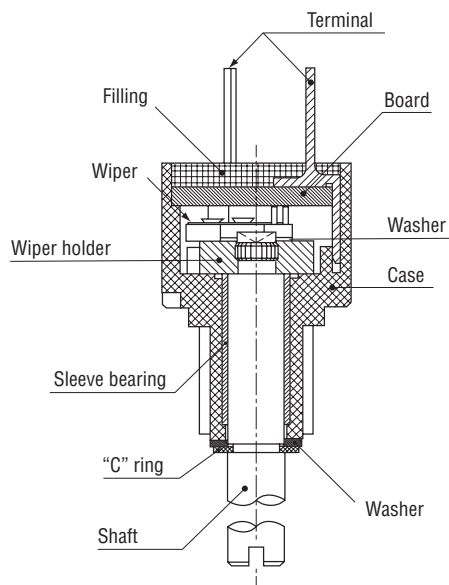


# CONDUCTIVE PLASTIC SINGLE TURN TYPE **JC10 series**

RoHS compliant



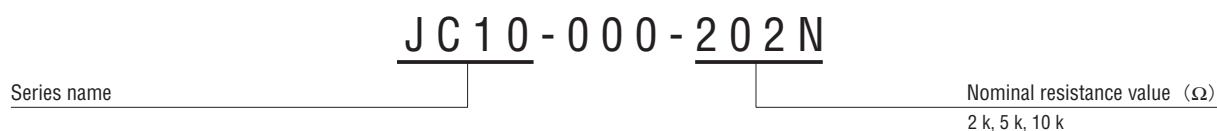
## Basic construction Conductive plastic single turn type



## FEATURES

- Compact (  $\phi$  10 mm)
- Long life
- High resolution (Essentially infinite)
- High following characteristics
- Cost effective
- RoHS compliant

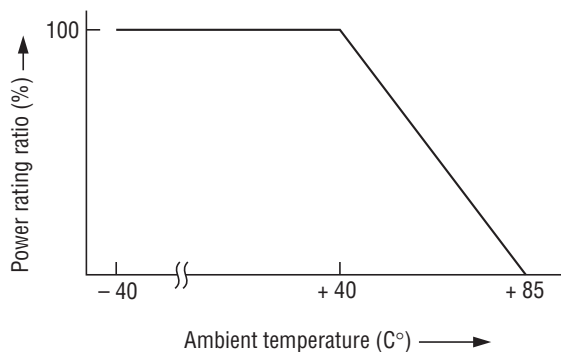
## PART NUMBER DESIGNATION



## LIST OF PART NUMBERS

Nominal resistance value	Part number
2 k $\Omega$	JC10-000-202N
5 k $\Omega$	JC10-000-502N
10 k $\Omega$	JC10-000-103N

## RATED POWER DERATING CURVE



# JC10 POTENTIOMETERS

## STANDARD SPECIFICATIONS

### ● Electrical characteristics

Nominal resistance value		2 kΩ, 5 kΩ, 10 kΩ
Resistance tolerance	%	± 20
Resolution		Essentially infinite
Independent linearity	%	± 2
Effective electrical angle		324° ± 5°
Power rating (at 40 °C)	W	0.125
Dielectric strength	Vrms	500, 1min
Insulation resistance	MΩ minimum	100 (at DC 500 V)
Temp. coefficient of resistance	ppm/°C	± 400
Output smoothness		0.1 % maximum

### ● Mechanical characteristics

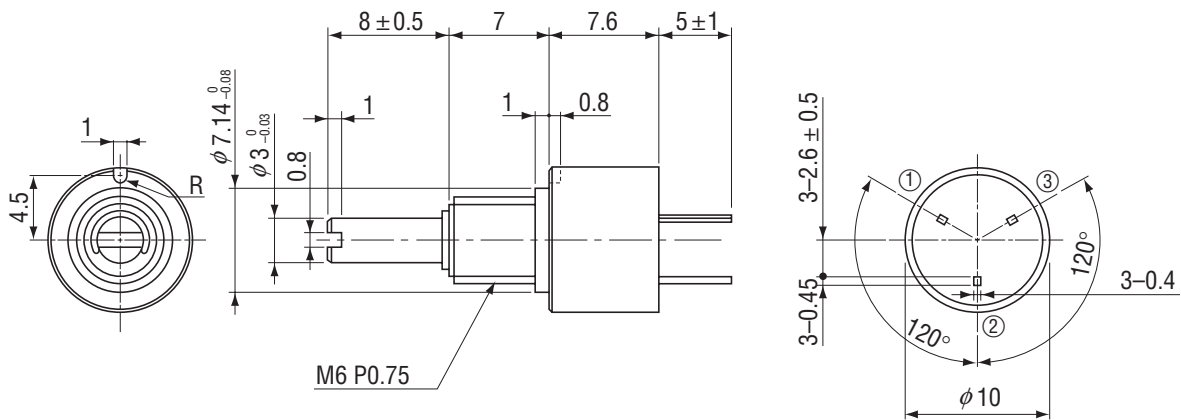
Mechanical angle		360° continuous
Rotational torque	mN·m (gf·cm) maximum	1.96 {20}
Rotational life (cycles)		5 million
Strength of tighten screw	N·cm (kgf·cm)	49 {5} maximum

### ● Environmental characteristics

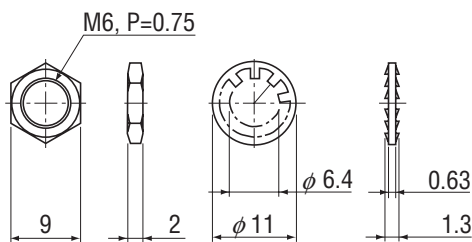
Operating temp. range	°C	-30 ~ 85
Net weight	g	Approx. 3
Protection grade		IP-40

## OUTLINE DIMENSIONS

(Unit : mm)



### <Accessories>



### <Wiring diagram>

