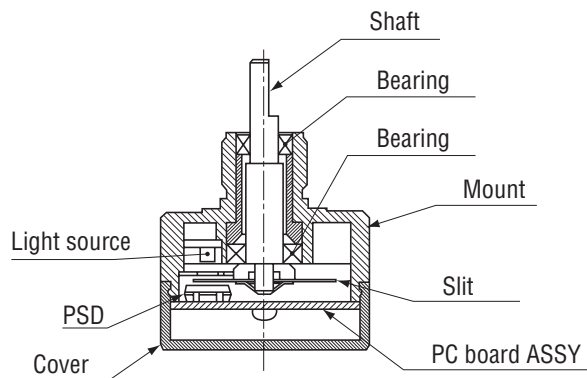


# OPTICAL CONTACTLESS TYPE **JT22 series**

RoHS compliant



### Basic construction

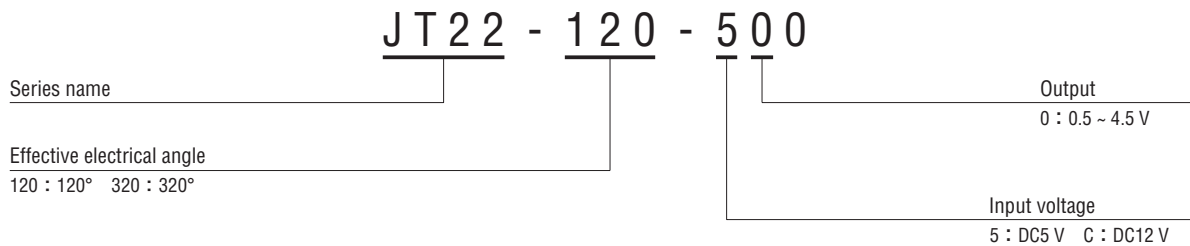


### FEATURES

- Contactless configuration offers much longer life
- Low torque 0.147 mN·m {1.5 gf·cm} maximum
- Superior temperature characteristic due to temperature compensation circuit incorporated
- Wide effective electrical angle (120° • 320°)
- RoHS compliant

### Optical contactless single turn type

### PART NUMBER DESIGNATION



### LIST OF PART NUMBERS

Effective electrical angle	Input voltage	Part number
120°	DC5 V	JT22-120-500
	DC12 V	JT22-120-C00
320°	DC5 V	JT22-320-500
	DC12 V	JT22-320-C00

※Verify the above part numbers when placing orders.

# JT22 POTENTIOMETERS

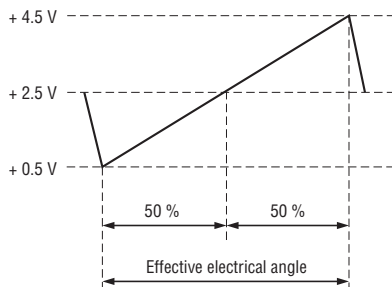
## STANDARD SPECIFICATIONS

### Electrical characteristics

Input voltage	DC5 V $\pm$ 0.25 V	DC12 V $\pm$ 0.6 V		
Dissipation	40 mA maximum			
Effective electrical angle	120°	320°	120°	320°
Output voltage	+0.5 ~ +4.5 V			
Absolute linearity ※1	$\pm$ 3.0 %			
Temperature sensitivity	$\pm$ 3.0 %FS ( $\pm$ 2.0 %FS/-30 ~ 70 °C)			
Temperature medium drift	$\pm$ 40 mV			
Insulation resistance	100 M $\Omega$ (at DC500 V) minimum			
Dielectric strength	AC500 V (1 min)			

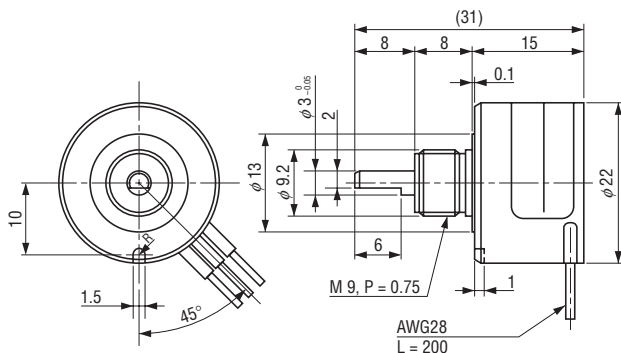
※1 At normal temp.

### OUTPUT

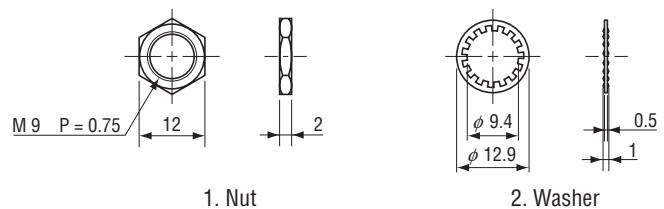


※ The output increases with CW shaft rotation.

### OUTLINE DIMENSIONS



### <Accessories>



(Unit: mm)

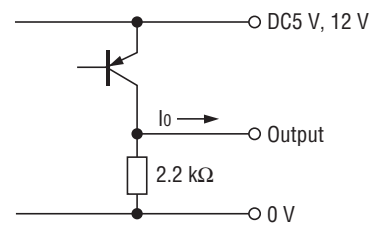
### Mechanical characteristics

Starting torque	0.147 mN·m {1.5 gf·cm} maximum (at normal temp.)
Maximum rotational speed	1500 min <sup>-1</sup>
Mechanical angle	360° continuous
Rotational life	(at 25 °C, 200 min <sup>-1</sup> ) 1 × 10 <sup>8</sup> revolution
Vibration	147 m/s <sup>2</sup> {15 G} 30 ~ 200 Hz, 30 h
Shock	294.2 m/s <sup>2</sup> {30 G} minimum
Strength of tighten screw	0.49 N·m {5 kgf·cm} maximum

### Environmental characteristics

Operating temp. range	-30 ~ 80 °C
Storage temp. range	-30 ~ 85 °C
Humidity	Relative humidity 95 % maximum
Net weight	Approx. 12
Protection grade	IP-40

### OUTPUT CIRCUITRY



I<sub>o</sub> ≦ 20 mA max.

### ELECTRICAL WIRING

Red	Power ⊕
Black	Power 0 (V)
White	Output