

ThienTru One – Member co., ltd

LINE SPEED METER



<http://thientru.vn>

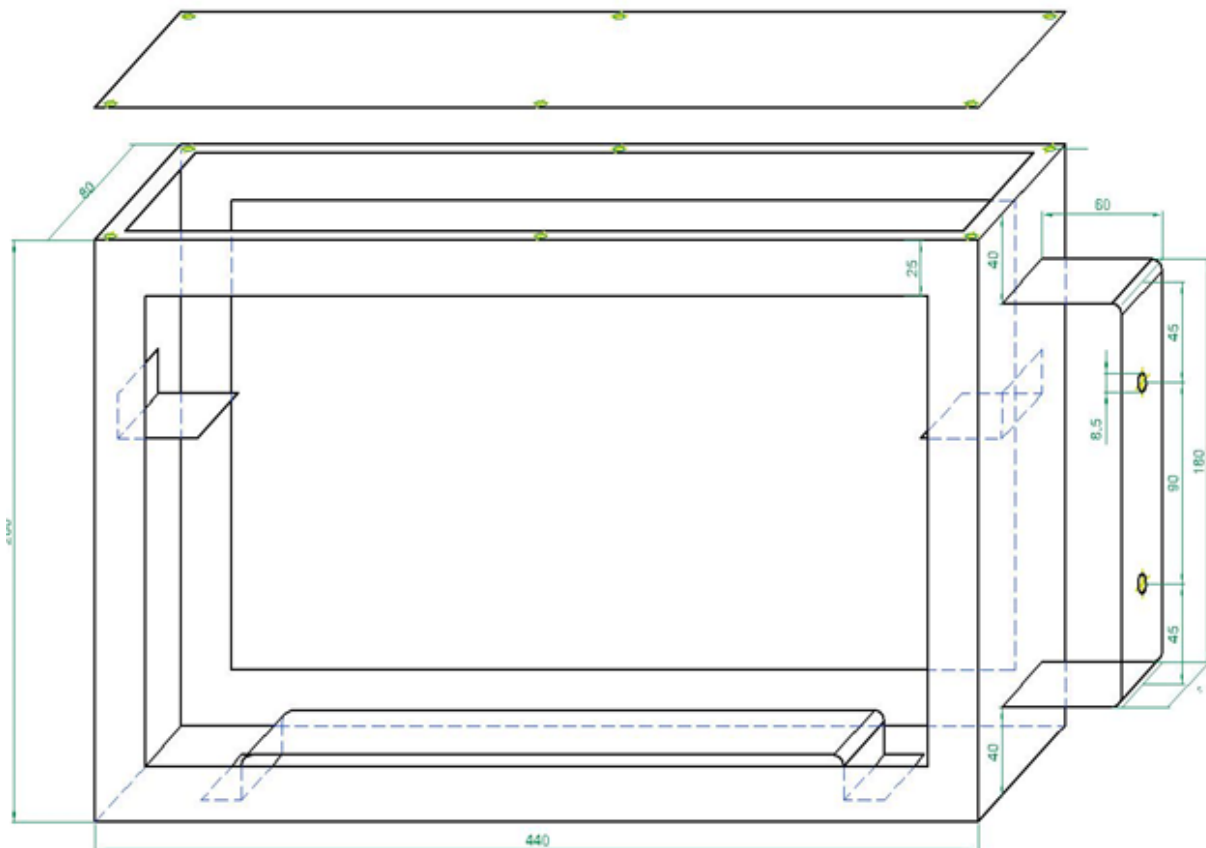
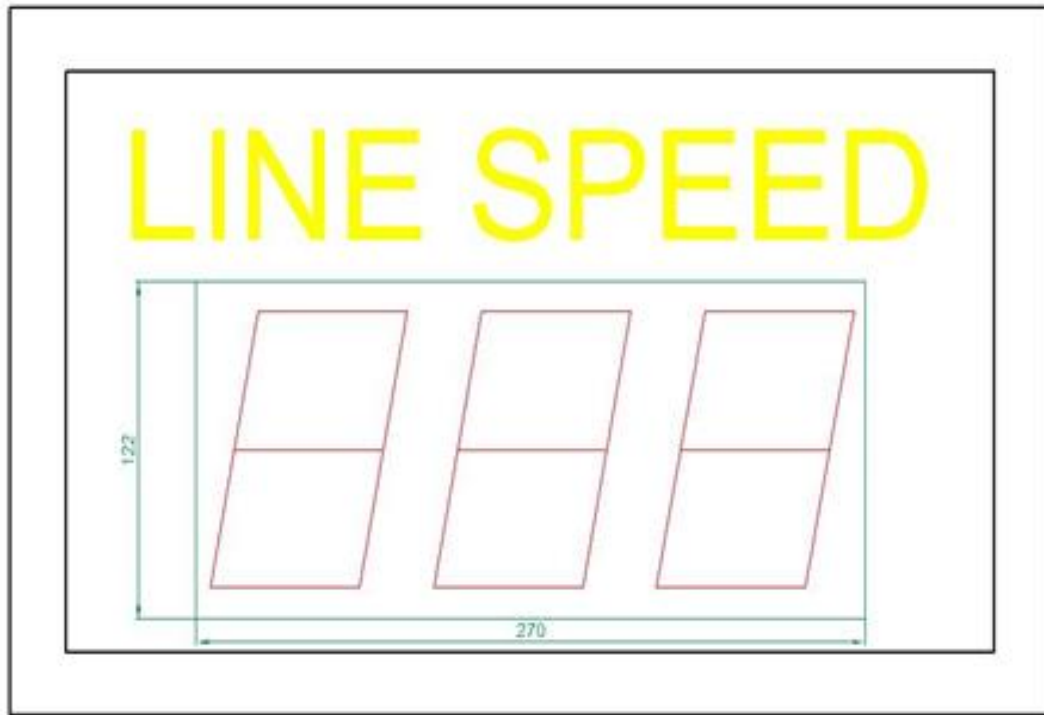
Feature:

- *Big screen display for over 100m supervision*
- *Stable performance and high accuracy*
- *Easily installing and wiring*

Technical Specification:

| | |
|-----------------------|---|
| Power supply | 220VAC / 2Amp 50Hz |
| Input | 0-10VDC or 0-5000 pulse/second |
| Speed Display | 0-300 met/minute |
| Protection | IP55 |
| Temperature | -10--+50°C |
| Display Screen | High brightness red LED; 102mm(4") |
| Weight | 3kg |
| Dimensions | 490 x 270 x 80mm |

Dimensions:



CONNECTION:

