

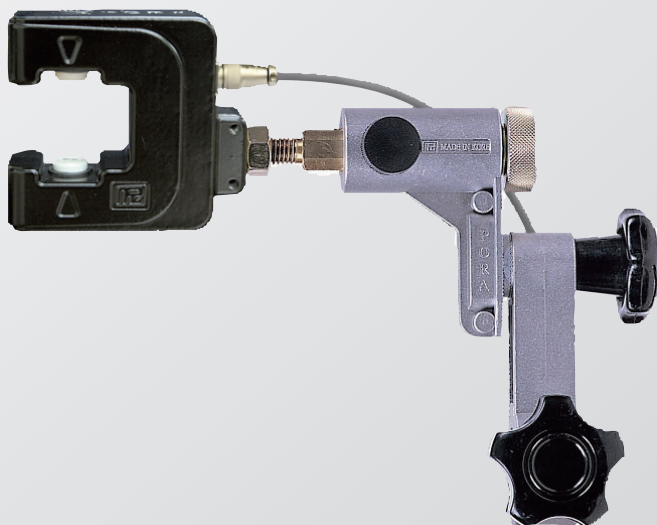
EPC

PR-DU30W **PR-DU50W**

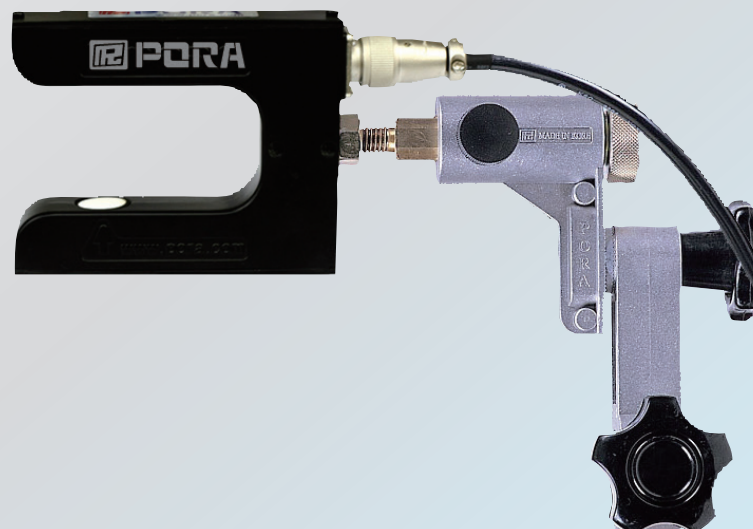
Ultrasonic Sensor

It accurately detects the edge line without being affected by film, material with photosensitivity or the printing pattern of the edge.

PR-DU30W

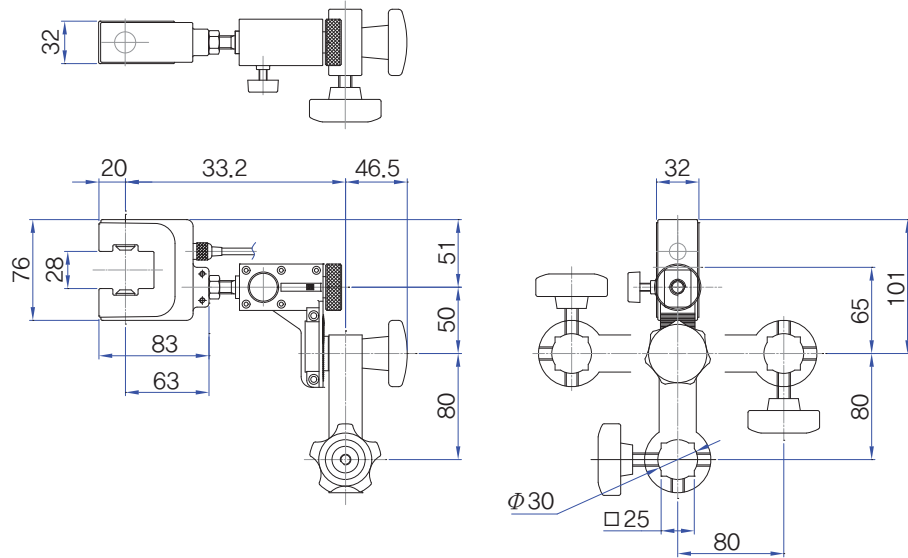


PR-DU50W

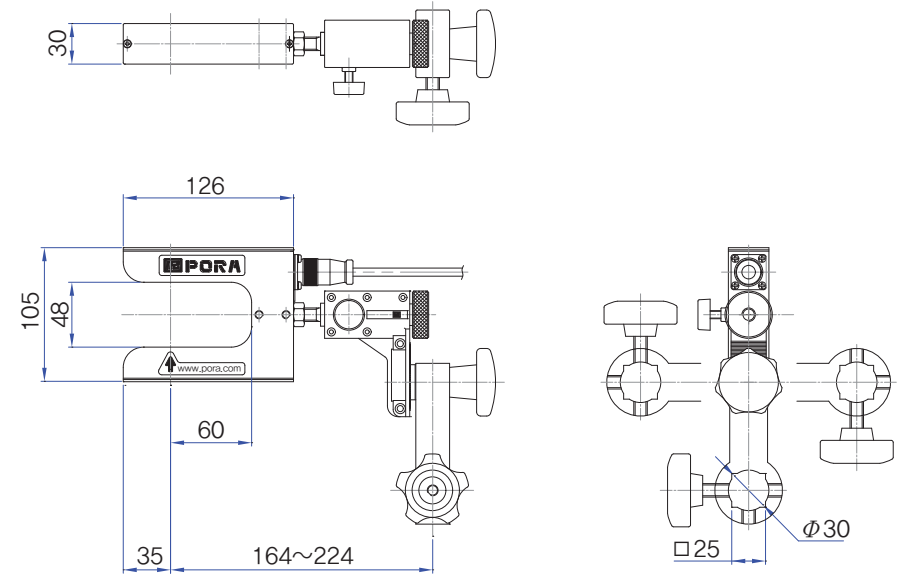


※ The content of this leaflet may be changed without prior notice, for which we request your kind understanding.

DIMENSION



▲PR-DU30W



▲PR-DU50W

SPECIFICATIONS

Product Name	PR-DU30W	PR-DU50W
Sensor type	Ultrasonic type	
Response speed	0.01sec	
Output voltage	0 ~ 5Vdc	
Materials which can be detected	- Detection of transparent material: possible, - Detection of opaque material: possible, - Edge detection: possible, - Line detection: impossible	
Weight	DU30W : 0.55kg (Excluding arm : 0.2kg)	DU50W : 1kg (Excluding arm : 0.65kg)