

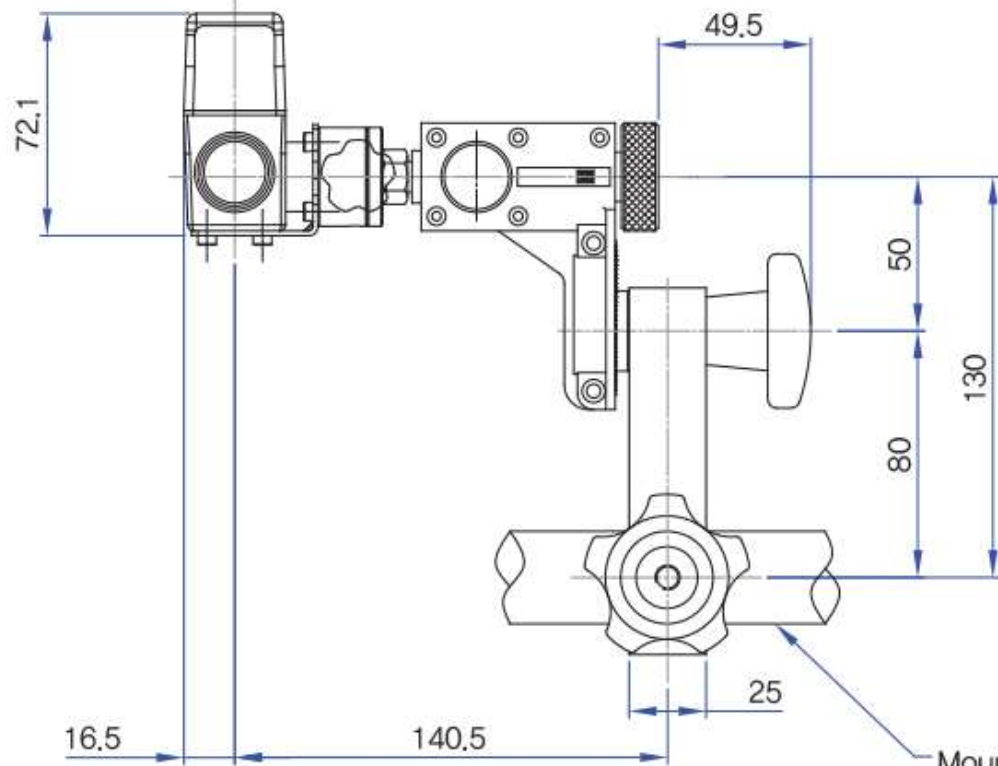
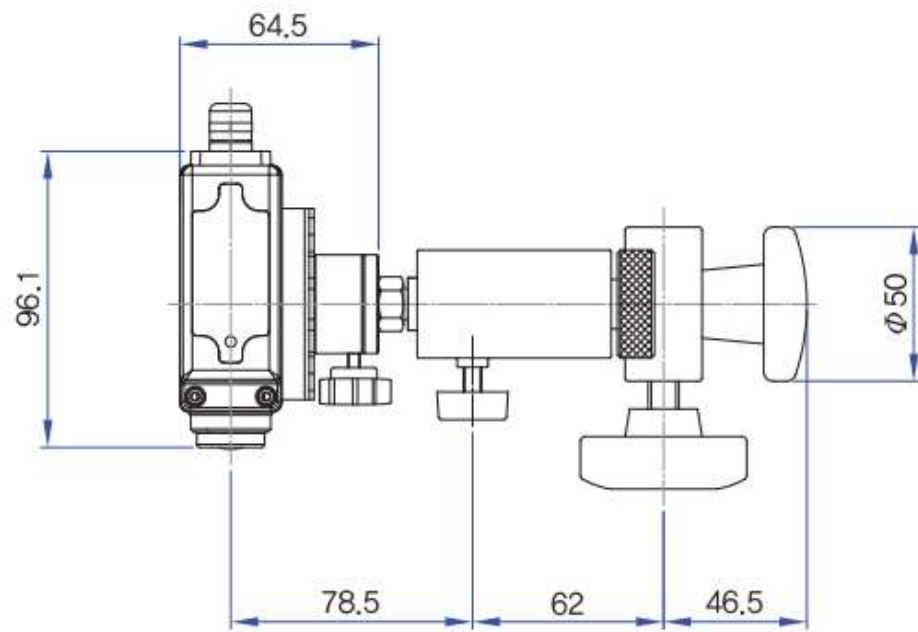


Sensor Bracket

Product Specification

Product Name	PR-L16WA
Sensor type	High-intensity LED Type
Response speed	0.01sec
Output voltage	Analog variable output
Materials which can be detected	- Detection of transparent material: possible, - Detection of opaque material: possible, - Edge detection: possible, - Line detection: possible
Weight	1kg (Excluding arm : 0.65kg)

Outer Dimension



Mounting rod(MTG,ROD)

